

Transformers and Motors: A Comprehensive Guide to Understanding, Installing, and Maintaining Electrical Powerhouse

In the realm of electrical engineering, transformers and motors stand as indispensable workhorses, shaping the flow and transformation of electrical energy. From power distribution networks to industrial machinery, these devices play a pivotal role in powering our modern world. Whether you're an electrical engineer, technician, industrialist, or simply curious about the intricacies of electrical engineering, this comprehensive guide will provide you with an in-depth understanding of transformers and motors.

Chapter 1: Transformers: The Power Transporters

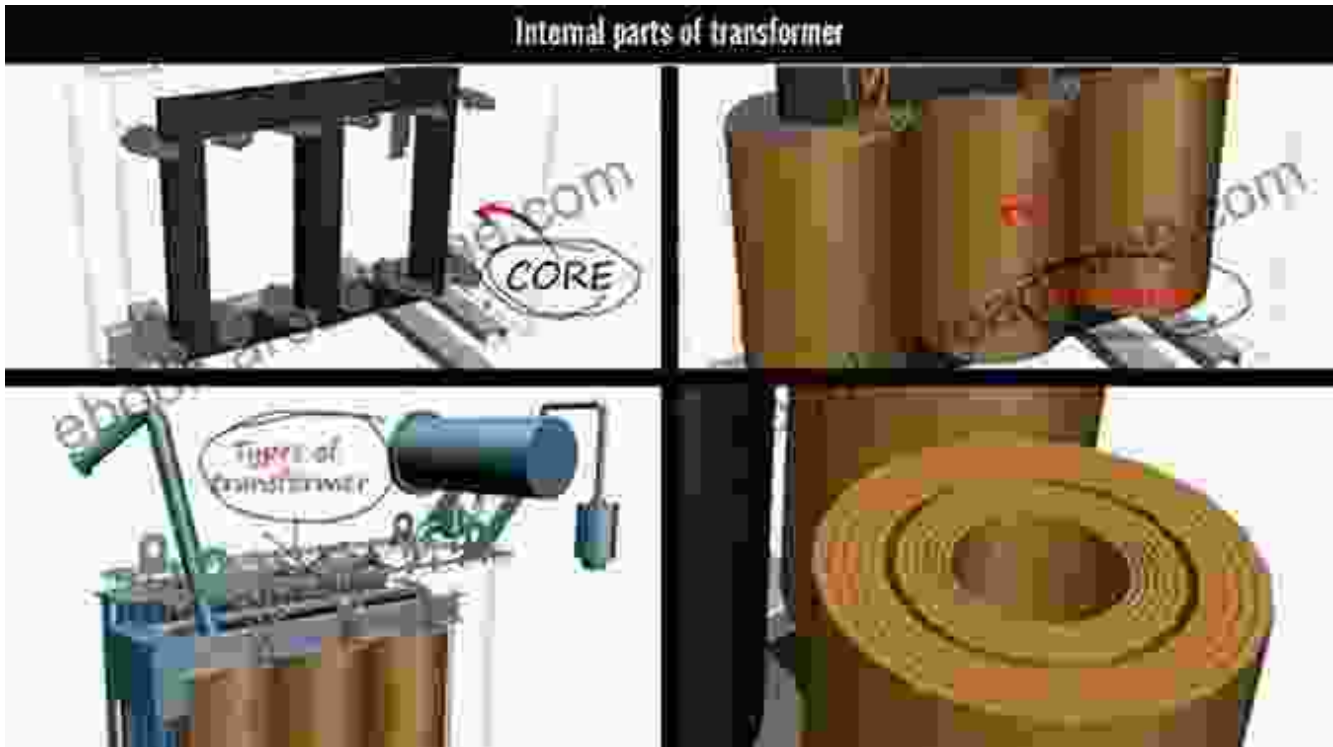
Kickstart your journey into the world of transformers by delving into their fundamental principles, construction, and operation. Discover the different types of transformers, including step-up, step-down, isolation, and autotransformers. Gain insights into their core components, such as windings, cores, and insulation, and explore the magnetic principles that drive their energy conversion process.



Transformers and Motors

★★★★☆ 4.7 out of 5

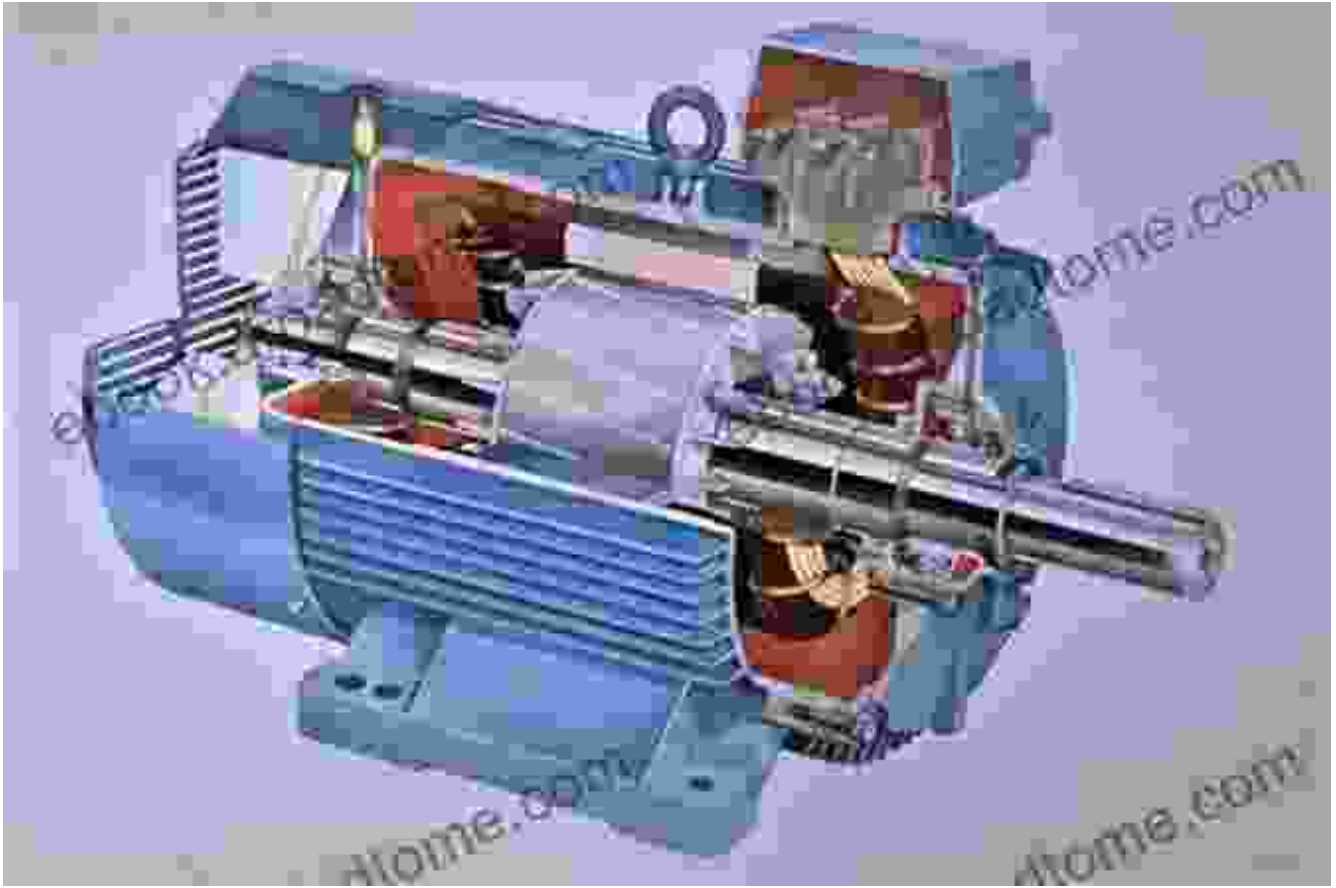
Language : English
File size : 19245 KB
Text-to-Speech : Enabled
Screen Reader : Supported
Enhanced typesetting : Enabled
Word Wise : Enabled
Print length : 333 pages



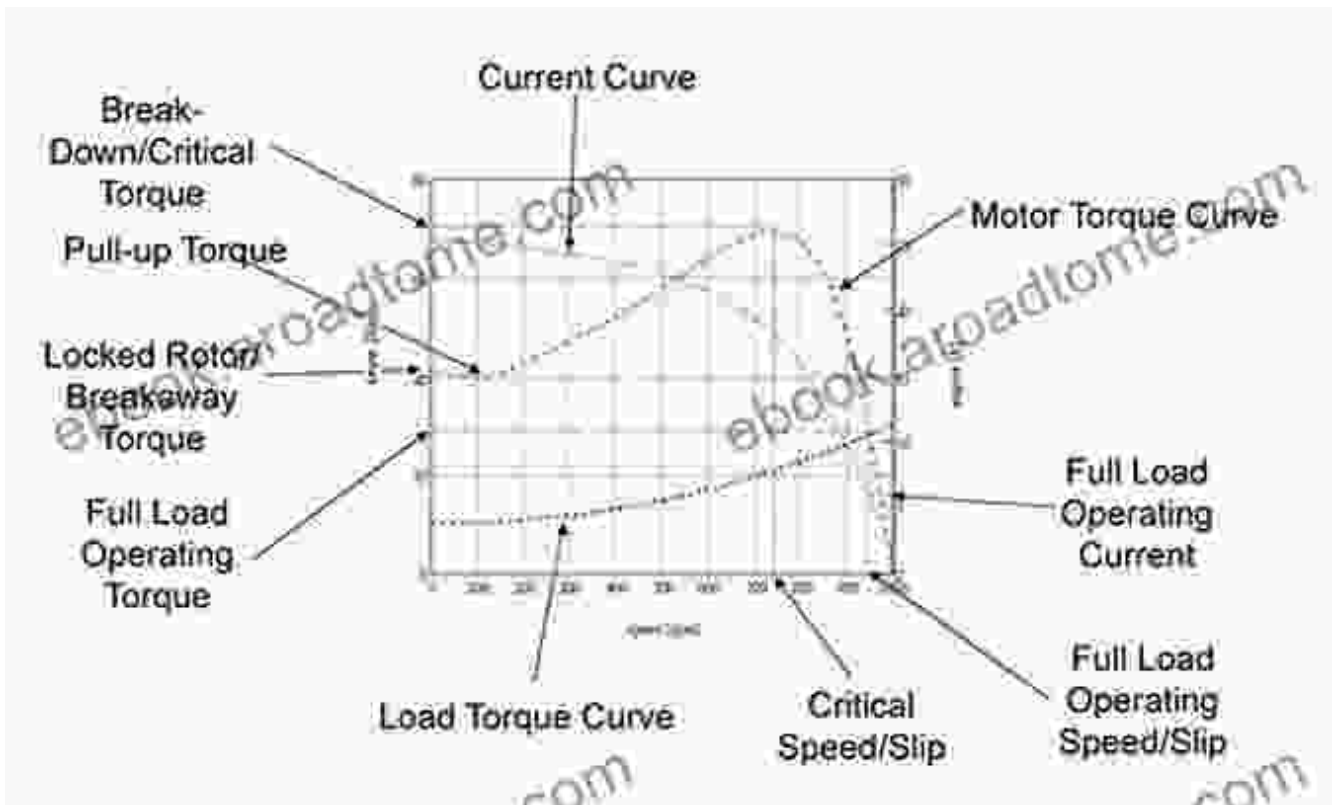
Chapter 2: Motors: The Power Converters

Next, prepare to unveil the mysteries of electric motors, the marvels of electrical engineering that convert electrical energy into mechanical motion. Explore different motor types, such as AC motors (synchronous and induction) and DC motors (brushless and brushed), understanding their unique characteristics, operating principles, and applications.

2.1 Types of Motors



2.2 Motor Operation and Control



Chapter 3: Installation and Maintenance

Now that you have a solid foundation in transformers and motors, it's time to delve into their practical aspects, from installation to maintenance. Learn proper installation procedures, including site selection, grounding, and connection techniques. Master preventive maintenance strategies, such as 定期检查, testing, and troubleshooting, ensuring optimal performance and longevity of your electrical equipment.

3.1 Transformer Installation and Maintenance



3.2 Motor Installation and Maintenance

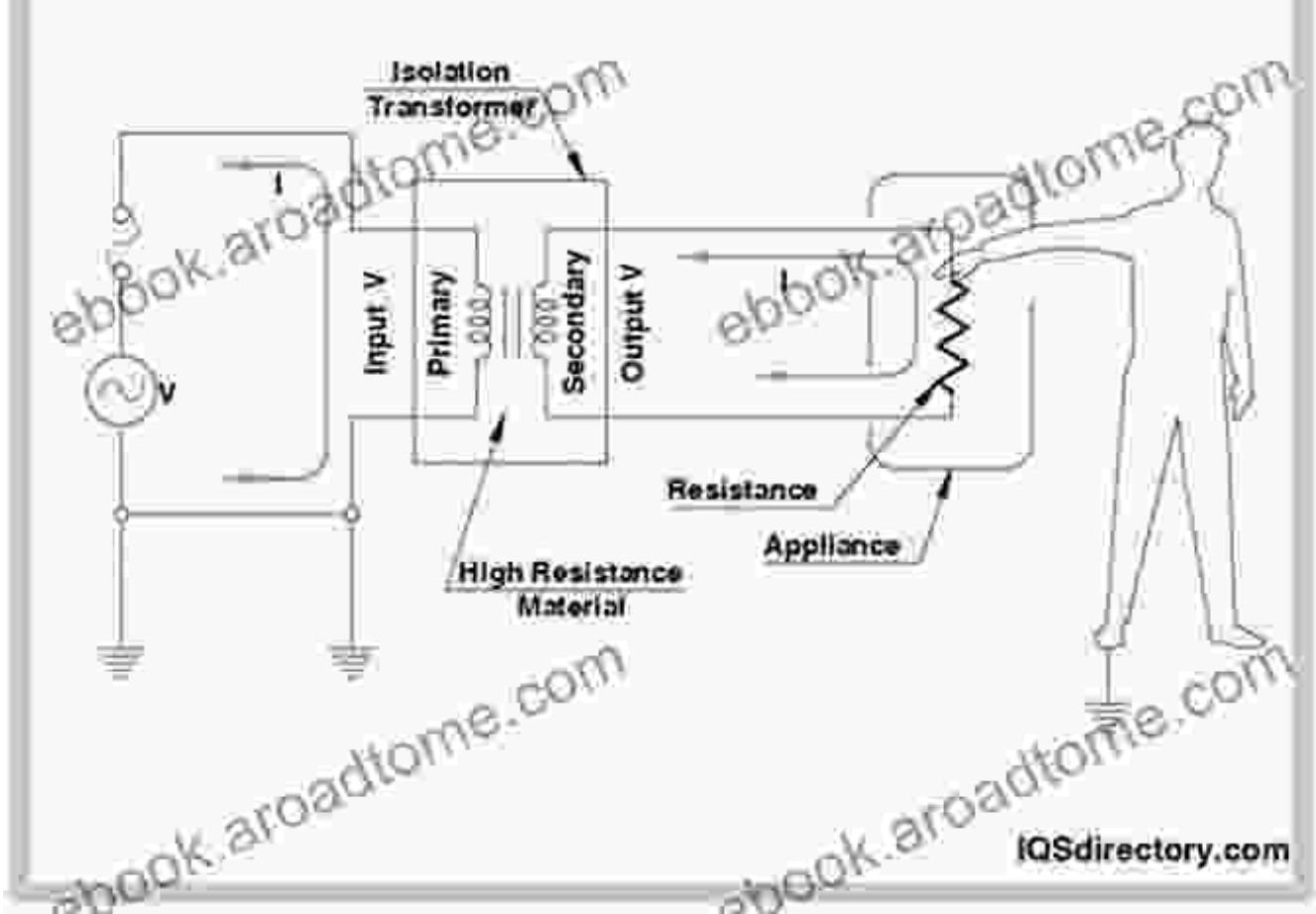


Chapter 4: Applications and Troubleshooting

The final chapter showcases the diverse applications of transformers and motors across various industries. Explore real-world scenarios, from power distribution networks to industrial machinery, gaining insights into how these devices enable efficient energy utilization and drive industrial processes. Additionally, hone your troubleshooting skills, learning proven techniques for diagnosing and resolving common problems associated with transformers and motors.

4.1 Transformer Applications and Troubleshooting

Purpose of Isolation Transformer



4.2 Motor Applications and Troubleshooting



This comprehensive guide has taken you on an educational journey into the fascinating world of transformers and motors. From understanding their fundamental principles to mastering their installation, maintenance, and troubleshooting, you are now equipped with a profound knowledge of these electrical powerhouses. Whether you're an electrical professional or simply seeking to expand your technical horizons, this book will serve as an invaluable resource throughout your career.



Transformers and Motors

★★★★☆ 4.7 out of 5

Language : English

File size : 19245 KB

Text-to-Speech : Enabled

Screen Reader : Supported

Enhanced typesetting : Enabled

Word Wise : Enabled
Print length : 333 pages



Heal Your Multiple Sclerosis: Simple And Delicious Recipes For Nutritional Healing

Are you looking for a simple and delicious way to heal your multiple sclerosis? Look no further! This cookbook is packed with over 100 easy-to-follow...



Myles Garrett: The Unstoppable Force

From Humble Beginnings Myles Garrett's journey to NFL stardom began in the small town of Arlington, Texas. Born in 1995, he grew up in a family where sports were a way...